

"COMFORT+CO2 - PICO HP2 WI-C-CO2" - WALL-MOUNTED, STATIC INTAKE/EXTRACTOR FAN WITH HEAT RECOVERY, EQUIPPED WITH EXTERNAL POWER SUPPLY OR WITH BUILT-IN POWER SUPPLY



TECHNICAL FEATURES

- FOR WALL INSTALLATION
- DISTANCE FROM FRONT PANEL TO WALL: 3,5 cm
- AVAILABLE WITH AIR FLOW RATE FROM 30 TO 80 m³/h
- 3 SETTINGS OF HUMIDITY THRESHOLD: 40%, 50% AND 60%
- WI-FI CONTROL MODE (OFF-LINE) – COMFORT - CO2
- NO FORMATION OF CONDENSATION DURING OPERATION
- HIGH EFFICIENCY HEAT EXCHANGER IN CERAMIC MATERIAL
- WALL OPENING Ø 103-128-153 mm
- EQUIPPED WITH G2 FILTERS
- LOW ENERGY CONSUMPTION FAN
- SUITABLE FOR CONTINUOUS OPERATION
- SUPPLIED WITH REMOTE CONTROL
- COLOURED LEDS FOR SETTINGS DISPLAY
- 3-SPEED OPERATION
- EQUIPPED WITH EXTERNAL POWER SUPPLY/BUILT-IN POWER SUPPLY 230 V
- MINIMUM THICKNESS FOR INSTALLATION: 310 mm

PICO^{wi} HP2 - C - CO2



WI-FI



COMFORT



CO2



SUPPLIED WITH REMOTE CONTROL.
9 NEW FUNCTIONS



EXTERNAL POWER SUPPLY
230 V



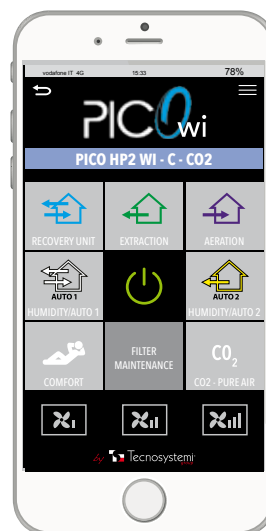
BUILT-IN POWER SUPPLY
230 V



THREE MODULE BUILT-IN BOX
NOT INCLUDED

NEW
2019

WI-FI CONTROL MODE



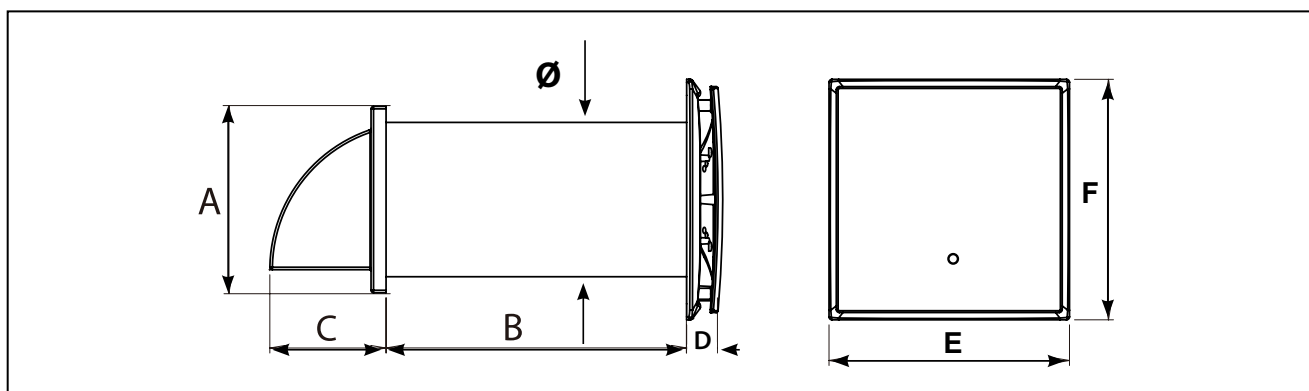
EFFICIENCY 90%



PICO HP2 WI - 30 - 55 - 80



SEE OPERATION MODES ON PAGES. 12-13



DIMENSIONS AND MODELS	A (mm)	B (mm)	C (mm)	Ø (mm)	D (mm)	E (mm)	F (mm)
ACD100013 / ACD100016	154	500	86	103	35	240	240
ACD100014 / ACD100017	186	500	101	128	35	240	240
ACD100015 / ACD100018	186	500	101	153	35	240	240

MODEL	PICO HP2 30 WI-C-CO2			PICO HP2 55 WI-C-CO2			PICO HP2 80 WI-C-CO2		
SPEED	1	2	3	1	2	3	1	2	3
SUPPLY VOLTAGE	230 V								
POWER (W)	1,3	1,4	1,4	1,3	1,6	2,2	1,7	2,6	3,6
MAXIMUM CURRENT CONSUMED (mA)	38	42	47	65,5	73	81	162	180	200
MAXIMUM AIR FLOW RATE (m³/h)	23	25	28	23	35	46	39	64	74
RPM (min-1)	1863	2070	2300	2106	2340	2600	2350	2610	2900
SOUND PRESSURE AT 1m (dB(A))	27	28	29	24	28	34	28	35	39
SOUND PRESSURE AT 3 m (dB(A))	25	26	27	23	26	32	26	33	37
MAXIMUM AIR TEMPERATURE (°C)	FROM -10 TO +50			FROM -10 TO +50			FROM -10 TO +50		
REGENERATOR EFFICIENCY	≤90%			≤90%			≤90%		
HEAT EXCHANGE FILL MEDIA	CERAMIC			CERAMIC			CERAMIC		
TUBE DIMENSIONS (mm)	Ø 103			Ø 128			Ø 153		
PROTECTION	IP 24			IP 24			IP 24		

AVAILABLE FROM APRIL 2019

CODE	DESCRIPTION
ACD100013	"COMFORT+CO2 - PICO HP2 30 WI-C CO2" WALL-MOUNTED, STATIC INTAKE/EXTRACTOR FAN WITH HEAT RECOVERY, EQUIPPED WITH EXTERNAL POWER SUPPLY
ACD100014	"COMFORT+CO2 - PICO HP2 55 WI-C CO2" WALL-MOUNTED, STATIC INTAKE/EXTRACTOR FAN WITH HEAT RECOVERY, EQUIPPED WITH EXTERNAL POWER SUPPLY
ACD100015	"COMFORT+CO2 - PICO HP2 80 WI-C CO2" WALL-MOUNTED, STATIC INTAKE/EXTRACTOR FAN WITH HEAT RECOVERY, EQUIPPED WITH EXTERNAL POWER SUPPLY
ACD100016	"COMFORT+CO2 - PICO HP2 30 WI-C-CO2" WALL-MOUNTED, STATIC INTAKE/EXTRACTOR FAN WITH HEAT RECOVERY, EQUIPPED WITH BUILT-IN POWER SUPPLY
ACD100017	"COMFORT+CO2 - PICO HP2 55 WI-C-CO2" WALL-MOUNTED, STATIC INTAKE/EXTRACTOR FAN WITH HEAT RECOVERY, EQUIPPED WITH BUILT-IN POWER SUPPLY
ACD100018	"COMFORT+CO2 - PICO HP2 80 WI-C-CO2" WALL-MOUNTED, STATIC INTAKE/EXTRACTOR FAN WITH HEAT RECOVERY, EQUIPPED WITH BUILT-IN POWER SUPPLY

FOR THE ROUND PIPE EXTENTIONS, SEE PAGE 114 OF THE CATALOGUE "PROJECT WIND"