



WATCH THE VIDEO



**POOR AIR CIRCULATION?  
DAMP / MOULD STAINED WALLS?  
UNPLEASANT ODOURS?**

**FROM NOW ON, CLEAN AIR  
AND NO MORE MOULD! LOWER ENERGY  
COSTS AND BETTER QUALITY OF LIFE**



**PIC**  
**IS THE SOLUTION!**



# PICO<sub>wi</sub> ANTI MOULD HP2

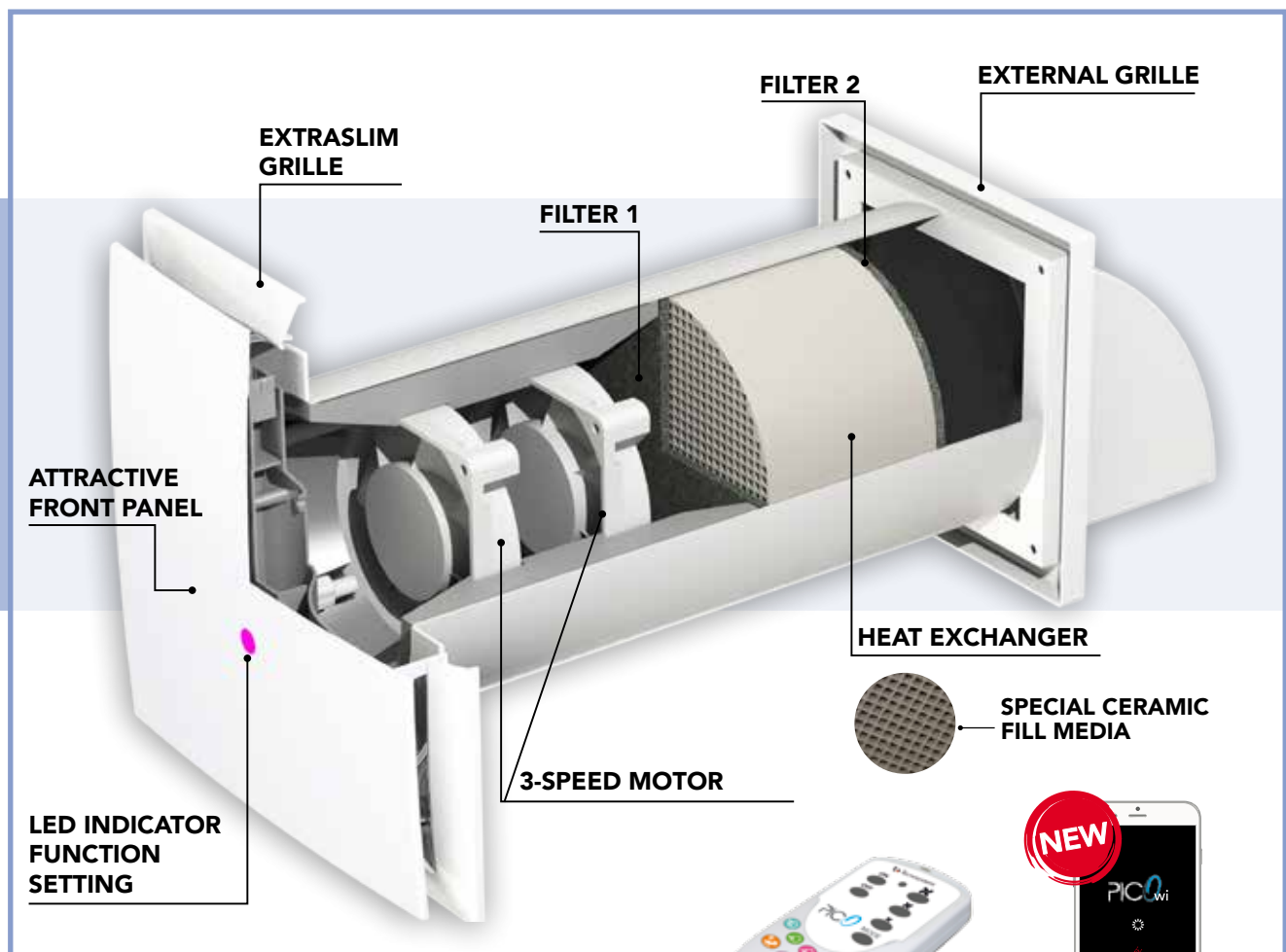
## WALL-MOUNTED STATIC INTAKE/EXTRACTOR FAN WITH HEAT RECOVERY

THANKS TO ITS REVERSIBLE FUNCTION, THE "PICO HP2 WI" EXTRACTOR FAN CREATES A COMFORTABLE MICRO-CLIMATE, WHILE AT THE SAME TIME ALLOWING AIR EXCHANGE.

"PICO HP2 WI" REPRESENTS THE BEST SOLUTION FOR ENERGY SAVINGS AND VENTILATION HOME OR OFFICE.

THE HIGH OUTPUT OF THE INTAKE/EXTRACTION FAN (UP TO 90%) IS GUARANTEED BY A **HONEY COMB-STRUCTURED HEAT EXCHANGER** MADE FROM CERAMIC MATERIALS.

PICO HP2 IS EASY TO INSTALL AND MAINTAIN, IT ALSO FEATURES A SILENT FUNCTION.



SUPPLIED WITH REMOTE CONTROL

CONTROL THROUGH SMARTPHONES AND TABLETS

# PICO<sub>wi</sub> ANTI MOULD RECO 100

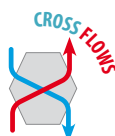
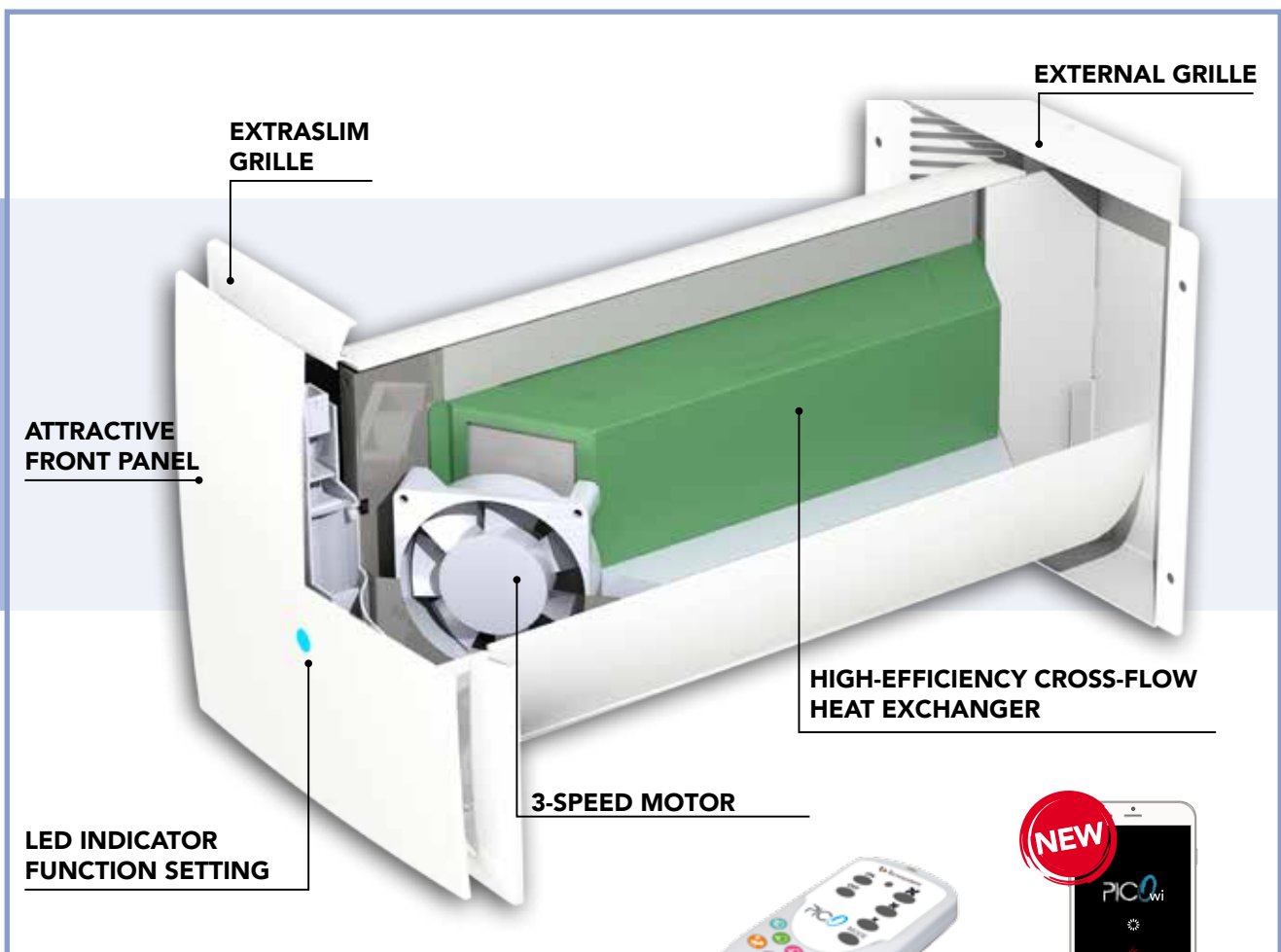
## WALL-MOUNTED CROSS-FLOW STATIC INTAKE/ EXTRACTION FAN WITH HEAT RECOVERY

THE "PICO RECO 100 WI" INTAKE/EXTRACTION FAN IS AN **INNOVATIVE CROSS-FLOW HEAT RECOVERY SYSTEM THAT GUARANTEES CORRECT AIR EXCHANGE IN CLOSED ROOMS.**

THANKS TO THE USE OF A **HIGH-EFFICIENCY EXCHANGER WITH AN OUTPUT OF UP TO 96%, FRESH AIR IS INTRODUCED AT A TEMPERATURE CLOSE TO THAT INSIDE THE ROOM, REDUCING ENERGY COSTS NORMALLY SUSTAINED USING TRADITIONAL VENTILATION SYSTEMS.**

THE "PICO RECO 100 WI" IS FITTED WITH **TWO FANS** THAT RESPECTIVELY **EXPEL THE USED AIR FROM THE ROOM** (UNPLEASANT ODOURS, SMOKE, POLLUTANTS ETC.), AND **SIMULTANEOUSLY INTRODUCE FRESH AIR FROM THE OUTSIDE.**

THANKS TO THE EXCHANGER'S SPECIAL STRUCTURE, THE USED EXPELLED AIR AND THE FRESH AIR **NEVER COME INTO CONTACT WITH EACH OTHER.**



SUPPLIED WITH  
REMOTE CONTROL

CONTROL THROUGH  
SMARTPHONES AND  
TABLETS

## REMOTE CONTROL WITH 4 NEW FUNCTIONS



**RESET FILTER MAINTENANCE**  
Press and hold for 3 seconds

**Fan OFF**

**Humidity value setting**

**Fan ON**

**Change speed**

**Maximum speed**  
(Humidity value 60%)

**Medium speed**  
(Humidity value 50%)

**Low speed**  
(Humidity value 40%)

**Change mode**

**AUTO 2**  
The device is in **standby**. When the air in the room **exceeds the threshold of settable humidity** at 40%, 50% or 60%, **the device switches to extraction only mode until the humidity level falls within the set values.**

**AUTO 1**  
The device is in **standby**. When the air in the room **exceeds the threshold of settable humidity** at 40%, 50% or 60%, **the device switches to recovery only mode until the humidity level falls within the set values.**

**AUTO 6**  
The system is on **standby**. When the CO<sub>2</sub> threshold of 800 ppmv is exceeded, **the heat recovery unit goes onto high-speed recovery mode.** When the CO<sub>2</sub> value recovers the unit goes back onto standby.

**AUTO 5**  
The system is on standby. When the Co<sub>2</sub> threshold of 800 ppmv is exceeded, **the heat recovery unit goes onto high-speed output.** When the Co<sub>2</sub> value recovers the unit goes back onto standby.

**AUTO 3**  
**SUMMER COMFORT MODE**  
The system is on **standby**. When the **external temperature** is **lower** than the internal one, **the heat recovery unit goes onto high-speed output mode.** When the temperature recovers its value the unit goes back onto standby.

**AUTO 4**  
**WINTER COMFORT MODE**  
The system is on **standby**. When the **external temperature** is **higher** than the internal one, **the heat recovery unit goes onto high-speed output mode.** When the temperature recovers its value the unit goes back onto standby.

**AERATION**  
The device **works in aeration mode only, taking in external air and introducing it into the room.** Option to regulate the three speeds provided.

**RECOVERY UNIT**  
The device works for **70 seconds in extraction mode and 70 seconds in aeration mode**, with the option to regulate the **three speeds**. In the case of the heat exchanger model Pico Reco 100, the fans operate simultaneously (extraction and aeration).

**EXTRACTION**  
The device **works in internal air extraction mode only** with the option to regulate the three speeds.

# PICOwi TECHNOLOGICAL ANTI MOULD

EASILY CONTROLLED BY SMARTPHONE AND TABLET

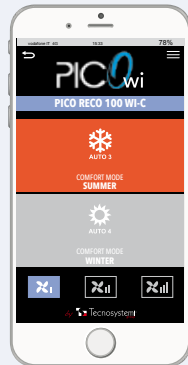


## PRACTICALITY AND CONTROL

### WI-FI MODE (OFF-LINE)

All Pico Wi functions can also be controlled simply and intuitively via wi-fi from your smartphone or tablet.

Just activate the wi-fi function on your device and select Pico Wi to access the system.



## IDEAL TEMPERATURE

### COMFORT MODE

If the system is set on WINTER COMFORT or SUMMER COMFORT mode, it activates by exploiting the internal and external difference in temperature in order to reach the ideal internal temperature.



## CLEANER AIR

### CO2 MODE

Select the AUTO 5 or AUTO 6 modes to refresh the internal air and keep the internal environment healthy.

 SIMPLE

 QUICK

 INTUITIVE

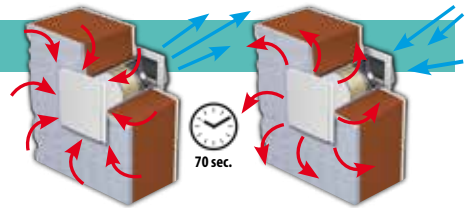
# OPERATING MODES



## REGENERATOR

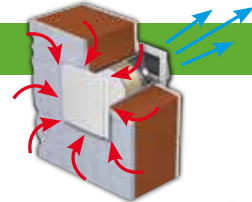
THE DEVICE WORKS FOR 70 SECONDS IN EXTRACTION MODE AND 70 SECONDS IN AERATION MODE, WITH THE OPTION TO REGULATE THE THREE SPEEDS. IN THE CASE OF THE RECOVERY UNIT MODEL PICO RECO 100. THE FANS OPERATE SIMULTANEOUSLY.

(EXTRACTION AND AERATION)



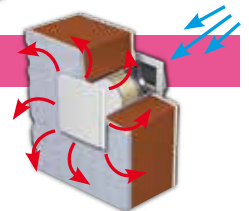
## EXTRACTION

THE DEVICE WORKS IN INTERNAL AIR EXTRACTION MODE ONLY, WITH THE OPTION TO REGULATE THE THREE SPEEDS.



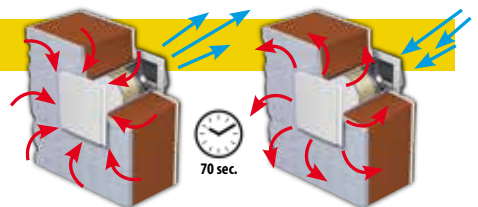
## AERATION

THE DEVICE WORKS IN AERATION MODE ONLY, TAKING IN AIR FROM OUTSIDE AND INTRODUCING IT INTO THE ROOM. OPTION TO REGULATE THE THREE SPEEDS PROVIDED.



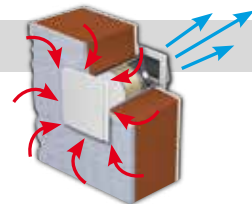
## AUTO1

THE DEVICE IS ON STANDBY. WHEN THE AIR IN THE ROOM EXCEEDS THE HUMIDITY LEVEL, THAT CAN BE SET AT 40%, 50% OR 60%, THE DEVICE GOES ONTO RECOVERY MODE UNTIL THE HUMIDITY RECOVERS ACCORDING TO THE SET VALUE.



## AUTO2

THE DEVICE IS ON STANDBY. WHEN THE AIR IN THE ROOM EXCEEDS THE HUMIDITY LEVEL, THAT CAN BE SET AT 40%, 50% OR 60%, THE DEVICE GOES ONTO EXTRACTION ONLY MODE UNTIL THE HUMIDITY LEVEL RECOVERS ACCORDING TO THE SET VALUE.

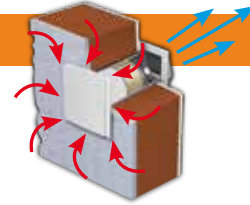


DESCRIPTION	REGENERATOR	EXTRACTION
"PICO HP2 30 WI" WITH EXTERNAL POWER SUPPLY	X	X
"PICO HP2 55 WI" WITH EXTERNAL POWER SUPPLY	X	X
"PICO HP2 80 WI" WITH EXTERNAL POWER SUPPLY	X	X
"PICO HP2 30 WI" WITH BUILT-IN POWER SUPPLY	X	X
"PICO HP2 55 WI" WITH BUILT-IN POWER SUPPLY	X	X
"PICO HP2 80 WI" WITH BUILT-IN POWER SUPPLY	X	X
"PICO HP2 30 WI-C COMFORT" WITH EXTERNAL POWER SUPPLY	X	X
"PICO HP2 55 WI-C COMFORT" WITH EXTERNAL POWER SUPPLY	X	X
"PICO HP2 80 WI-C COMFORT" WITH EXTERNAL POWER SUPPLY	X	X
"PICO HP2 30 WI-C COMFORT" WITH BUILT-IN POWER SUPPLY	X	X
"PICO HP2 55 WI-C COMFORT" WITH BUILT-IN POWER SUPPLY	X	X
"PICO HP2 80 WI-C COMFORT" WITH BUILT-IN POWER SUPPLY	X	X
"PICO HP2 30 WI-C-CO2 COMFORT" WITH EXTERNAL POWER SUPPLY	X	X
"PICO HP2 55 WI-C-CO2 COMFORT" WITH EXTERNAL POWER SUPPLY	X	X
"PICO HP2 80 WI-C-CO2 COMFORT" WITH EXTERNAL POWER SUPPLY	X	X
"PICO HP2 30 WI-C-CO2 COMFORT" WITH BUILT-IN POWER SUPPLY	X	X
"PICO HP2 55 WI-C-CO2 COMFORT" WITH BUILT-IN POWER SUPPLY	X	X
"PICO HP2 80 WI-C-CO2 COMFORT" WITH BUILT-IN POWER SUPPLY	X	X
"PICO RECO 100 WI" WITH EXTERNAL POWER SUPPLY	X	X
"PICO RECO 100 WI-C COMFORT" WITH EXTERNAL POWER SUPPLY	X	X
"PICO RECO 100 WI-C-CO2" WITH EXTERNAL POWER SUPPLY	X	X
"PICO RECO 100 WI" WITH BUILT-IN POWER SUPPLY	X	X
"PICO RECO 100 WI-C COMFORT" WITH BUILT-IN POWER SUPPLY	X	X
"PICO RECO 100 WI-C-CO2" WITH BUILT-IN POWER SUPPLY	X	X



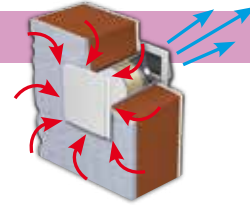
## AUTO3 - SUMMER COMFORT

THE SYSTEM IS ON STANDBY. IF THE EXTERNAL TEMPERATURE IS LOWER THAN THE INTERNAL ONE, THE HEAT RECOVERY UNIT GOES ONTO HIGH-SPEED INTAKE. WHEN THE TEMPERATURE RECOVERS ITS VALUE THE UNIT GOES BACK ONTO STANDBY.



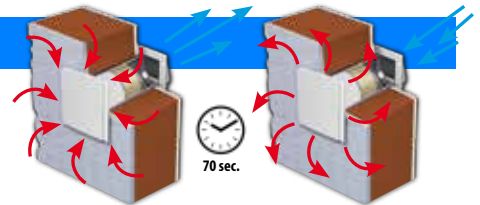
## AUTO4 - WINTER COMFORT

THE SYSTEM IS ON STANDBY. IF THE EXTERNAL TEMPERATURE IS HIGHER THAN THE INTERNAL ONE, THE HEAT RECOVERY UNIT GOES ONTO HIGH-SPEED INTAKE. WHEN THE TEMPERATURE RECOVERS ITS VALUE THE UNIT GOES BACK ONTO STANDBY.



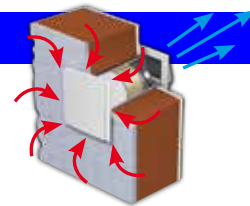
## AUTO5

THE SYSTEM IS ON STANDBY. WHEN THE CO2 THRESHOLD IS EXCEEDED THE HEAT RECOVERY UNIT GOES ONTO HIGH-SPEED RECOVERY. WHEN THE CO2 VALUE RECOVERS THE UNIT GOES BACK ONTO STANDBY.



## AUTO6

THE SYSTEM IS ON STANDBY. WHEN THE CO2 THRESHOLD IS EXCEEDED THE HEAT RECOVERY UNIT GOES ONTO HIGH-SPEED OUTPUT. WHEN THE CO2 VALUE RECOVERS THE UNIT GOES BACK ONTO STANDBY.



## FILTER MAINTENANCE

THE RED FLASHING LED INDICATES THE NEED TO PERFORM THE MAINTENANCE OF FILTERS AND THE HEAT EXCHANGER.

## SETTING THE HUMIDITY VALUE

WHEN THE BLUE LED TURNS ON, IT INDICATES THE ACCESS TO THE HUMIDITY VALUE SETTINGS MODE. IT IS POSSIBLE TO SET THE HUMIDITY THRESHOLD TO THREE DIFFERENT VALUES 40%, 50% O 60%

AERATION	SETTING HUMIDITY VALUE	WI-FI	AUTO 1	AUTO 2	AUTO 3	AUTO 4	AUTO 5	AUTO 6	INSTRUCTIONS FILTER MAINTENANCE
X	X	X	X	X					X
X	X	X	X	X					X
X	X	X	X	X					X
X	X	X	X	X					X
X	X	X	X	X					X
X	X	X	X	X	X	X			X
X	X	X	X	X	X	X			X
X	X	X	X	X	X	X			X
X	X	X	X	X	X	X			X
X	X	X	X	X	X	X	X	X	X
X	X	X	X	X	X	X	X	X	X
X	X	X	X	X	X	X	X	X	X
X	X	X	X	X	X	X	X	X	X
X	X	X	X	X	X	X	X	X	X
X	X	X	X	X	X	X	X	X	X
X	X	X	X	X	X	X	X	X	X
X	X	X	X	X	X	X	X	X	X
X	X	X	X	X	X	X	X	X	X
X	X	X	X	X	X	X	X	X	X
X	X	X	X	X	X	X	X	X	X
X	X	X	X	X	X	X	X	X	X
X	X	X	X	X	X	X	X	X	X
X	X	X	X	X	X	X	X	X	X
X	X	X	X	X	X	X	X	X	X
X	X	X	X	X	X	X	X	X	X



# "PICO HP2 WI" - WALL-MOUNTED, STATIC INTAKE / EXTRACTOR FAN WITH HEAT RECOVERY, EQUIPPED WITH EXTERNAL POWER SUPPLY OR WITH BUILT-IN POWER SUPPLY



## TECHNICAL FEATURES

- FOR WALL INSTALLATION
- DISTANCE FROM FRONT PANEL TO WALL: 3,5 cm
- AVAILABLE WITH AIR FLOW RATE FROM 30 TO 80 m<sup>3</sup>/h
- WI-FI CONTROL MODE (OFF-LINE) – COMFORT – CO<sub>2</sub>
- 3 SETTINGS OF HUMIDITY THRESHOLD: 40%, 50% AND 60%
- NO FORMATION OF CONDENSATION DURING OPERATION
- HIGH EFFICIENCY HEAT EXCHANGER IN CERAMIC MATERIAL
- SPESSORE INFERIORE A 5 CM
- WALL OPENING Ø 103-128-153 mm
- EQUIPPED WITH G2 FILTERS
- LOW ENERGY CONSUMPTION FAN
- SUITABLE FOR CONTINUOUS OPERATION
- SUPPLIED WITH REMOTE CONTROL
- COLOURED LEDS FOR SETTINGS DISPLAY
- 3-SPEED OPERATION
- EQUIPPED WITH EXTERNAL POWER SUPPLY /BUILT-IN POWER SUPPLY 230 V
- MINIMUM THICKNESS FOR INSTALLATION: 310 mm

# PICO<sup>wi</sup> HP2



SUPPLIED WITH REMOTE CONTROL.  
5 NEW FUNCTIONS



EXTERNAL POWER SUPPLY  
230 V



BUILT-IN POWER SUPPLY  
230 V



THREE MODULE BUILT-IN BOX  
NOT INCLUDED

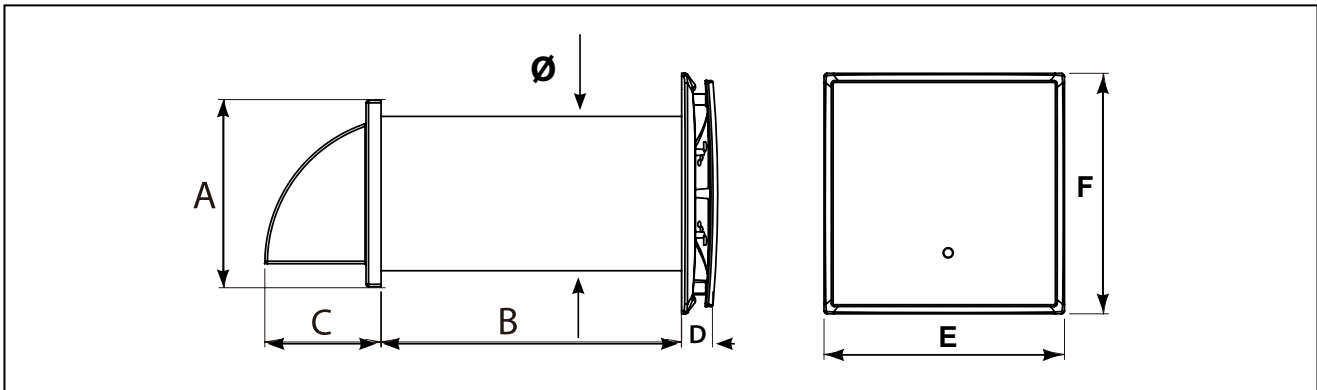
NEW  
2019

WI-FI CONTROL MODE



SEE OPERATION MODES ON PAGES. 12-13





DIMENSIONS AND MODELS	A (mm)	B (mm)	C (mm)	Ø (mm)	D (mm)	E (mm)	F (mm)
ACD100001 / ACD100004	154	500	86	103	35	240	240
ACD100002 / ACD100005	186	500	101	128	35	240	240
ACD100003 / ACD100006	186	500	101	153	35	240	240

MODEL	PICO HP2 30 WI			PICO HP2 55 WI			PICO HP2 80 WI		
SPEED	1	2	3	1	2	3	1	2	3
SUPPLY VOLTAGE	230 V								
POWER (W)	1,3	1,4	1,4	1,3	1,6	2,2	1,7	2,6	3,6
MAXIMUM CURRENT CONSUMED (mA)	38	42	47	65,5	73	81	162	180	200
MAXIMUM AIR FLOW RATE (m <sup>3</sup> /h)	23	25	28	23	35	46	39	64	74
RPM (min-1)	1863	2070	2300	2106	2340	2600	2350	2610	2900
SOUND PRESSURE AT 1m (dB(A))	27	28	29	24	28	34	28	35	39
SOUND PRESSURE AT 3 m (dB(A))	25	26	27	23	26	32	26	33	37
MAXIMUM AIR TEMPERATURE (°C)	FROM -10 TO +50			FROM -10 TO +50			FROM -10 TO +50		
REGENERATOR EFFICIENCY	≤90%			≤90%			≤90%		
HEAT EXCHANGE FILL MEDIA	CERAMIC			CERAMIC			CERAMIC		
TUBE DIMENSIONS (mm)	Ø 103			Ø 128			Ø 153		
PROTECTION	IP 24			IP 24			IP 24		

**AVAILABLE FROM APRIL 2019**

CODE	DESCRIPTION
ACD100001	"PICO HP2 30 WI" WALL-MOUNTED, STATIC INTAKE/EXTRACTOR FAN WITH HEAT RECOVERY, EQUIPPED WITH EXTERNAL POWER SUPPLY
ACD100002	"PICO HP2 55 WI" WALL-MOUNTED, STATIC INTAKE/EXTRACTOR FAN WITH HEAT RECOVERY, EQUIPPED WITH EXTERNAL POWER SUPPLY
ACD100003	"PICO HP2 80 WI" WALL-MOUNTED, STATIC INTAKE/EXTRACTOR FAN WITH HEAT RECOVERY, EQUIPPED WITH EXTERNAL POWER SUPPLY
ACD100004	"PICO HP2 30 WI" WALL-MOUNTED, STATIC INTAKE/EXTRACTOR FAN WITH HEAT RECOVERY, EQUIPPED WITH BUILT-IN POWER SUPPLY
ACD100005	"PICO HP2 55 WI" WALL-MOUNTED, STATIC INTAKE/EXTRACTOR FAN WITH HEAT RECOVERY, EQUIPPED WITH BUILT-IN POWER SUPPLY
ACD100006	"PICO HP2 80 WI" WALL-MOUNTED, STATIC INTAKE/EXTRACTOR FAN WITH HEAT RECOVERY, EQUIPPED WITH BUILT-IN POWER SUPPLY

FOR THE ROUND PIPE EXTENTIONS, SEE PAGE 114 OF THE CATALOGUE "PROJECT WIND"



# "COMFORT - PICO HP2 WI-C" - WALL-MOUNTED , STATIC INTAKE/EXTRACTOR FAN WITH HEAT RECOVERY, EQUIPPED WITH EXTERNAL POWER SUPPLY OR WITH BUILT-IN POWER SUPPLY



## TECHNICAL FEATURES

- FOR WALL INSTALLATION
- DISTANCE FROM FRONT PANEL TO WALL: 3,5 cm
- AVAILABLE WITH AIR FLOW RATE FROM 30 TO 80 m<sup>3</sup>/h
- 3 SETTINGS OF HUMIDITY THRESHOLD: 40%, 50% AND 60%
- WI-FI CONTROL MODE (OFF-LINE) – COMFORT
- NO FORMATION OF CONDENSATION DURING OPERATION
- HIGH EFFICIENCY HEAT EXCHANGER IN CERAMIC MATERIAL
- WALL OPENING Ø 103-128-153 mm
- EQUIPPED WITH G2 FILTERS
- LOW ENERGY CONSUMPTION FAN
- SUITABLE FOR CONTINUOUS OPERATION
- SUPPLIED WITH REMOTE CONTROL
- COLOURED LEDS FOR SETTINGS DISPLAY
- 3-SPEED OPERATION
- EQUIPPED WITH EXTERNAL POWER SUPPLY /BUILT-IN POWER SUPPLY 230 V
- MINIMUM THICKNESS FOR INSTALLATION:310 mm

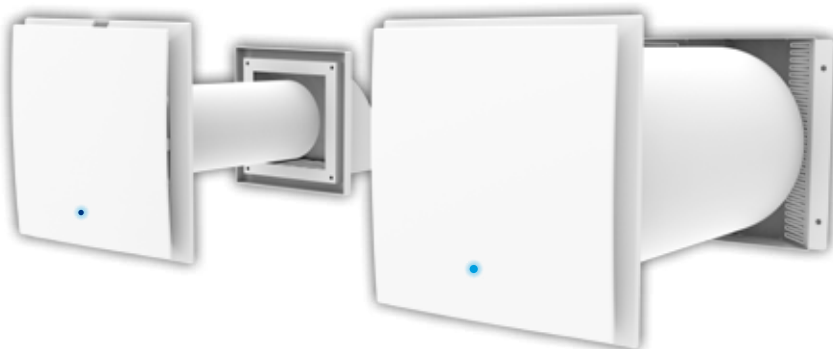
# PICO<sup>wi</sup> HP2-C



WI-FI



COMFORT



SUPPLIED WITH REMOTE CONTROL.  
7 NEW FUNCTIONS



EXTERNAL POWER SUPPLY  
230 V



BUILT-IN POWER SUPPLY  
230 V



THREE MODULE BUILT-IN BOX  
NOT INCLUDED

NEW  
2019

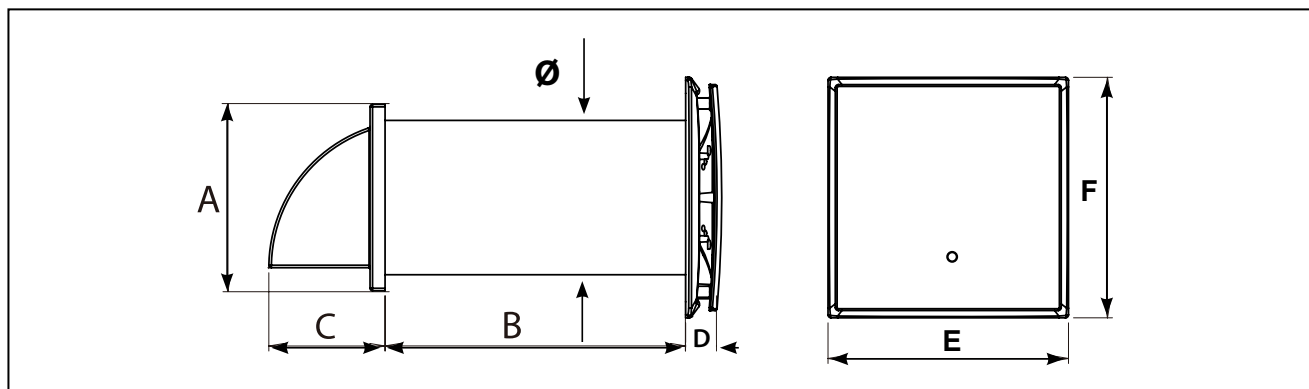
WI-FI CONTROL MODE



PICO HP2 WI - 30 - 55 - 80



SEE OPERATION MODES ON PAGES. 12-13



DIMENSIONS AND MODELS	A (mm)	B (mm)	C (mm)	Ø (mm)	D (mm)	E (mm)	F (mm)
ACD100007 / ACD100010	154	500	86	103	35	240	240
ACD100008 / ACD100011	186	500	101	128	35	240	240
ACD100009 / ACD100012	186	500	101	153	35	240	240

MODEL	PICO HP2 30 WI-C			PICO HP2 55 WI-C			PICO HP2 80 WI-C		
SPEED	1	2	3	1	2	3	1	2	3
SUPPLY VOLTAGE	230 V								
POWER (W)	1,3	1,4	1,4	1,3	1,6	2,2	1,7	2,6	3,6
MAXIMUM CURRENT CONSUMED (mA)	38	42	47	65,5	73	81	162	180	200
MAXIMUM AIR FLOW RATE (m <sup>3</sup> /h)	23	25	28	23	35	46	39	64	74
RPM (min-1)	1863	2070	2300	2106	2340	2600	2350	2610	2900
SOUND PRESSURE AT 1m (dB(A))	27	28	29	24	28	34	28	35	39
SOUND PRESSURE AT 3 m (dB(A))	25	26	27	23	26	32	26	33	37
MAXIMUM AIR TEMPERATURE (°C)	FROM -10 TO +50			FROM -10 TO +50			FROM -10 TO +50		
REGENERATOR EFFICIENCY	≤90%			≤90%			≤90%		
HEAT EXCHANGE FILL MEDIA	CERAMIC			CERAMIC			CERAMIC		
TUBE DIMENSIONS (mm)	Ø 103			Ø 128			Ø 153		
PROTECTION	IP 24			IP 24			IP 24		

**AVAILABLE FROM APRIL 2019**

CODE	DESCRIPTION
ACD100007	"COMFORT - PICO HP2 30 WI-C" WALL-MOUNTED , STATIC INTAKE/EXTRACTOR FAN WITH HEAT RECOVERY, EQUIPPED WITH EXTERNAL POWER SUPPLY
ACD100008	"COMFORT - PICO HP2 55 WI-C" WALL-MOUNTED , STATIC INTAKE/EXTRACTOR FAN WITH HEAT RECOVERY, EQUIPPED WITH EXTERNAL POWER SUPPLY
ACD100009	"COMFORT - PICO HP2 80 WI-C" WALL-MOUNTED , STATIC INTAKE/EXTRACTOR FAN WITH HEAT RECOVERY, EQUIPPED WITH EXTERNAL POWER SUPPLY
ACD100010	"COMFORT - PICO HP2 30 WI-C" WALL-MOUNTED , STATIC INTAKE/EXTRACTOR FAN WITH HEAT RECOVERY, EQUIPPED WITH BUILT-IN POWER SUPPLY
ACD100011	"COMFORT - PICO HP2 55 WI-C" WALL-MOUNTED , STATIC INTAKE/EXTRACTOR FAN WITH HEAT RECOVERY, EQUIPPED WITH BUILT-IN POWER SUPPLY
ACD100012	"COMFORT - PICO HP2 80 WI-C" WALL-MOUNTED , STATIC INTAKE/EXTRACTOR FAN WITH HEAT RECOVERY, EQUIPPED WITH BUILT-IN POWER SUPPLY

FOR THE ROUND PIPE EXTENTIONS, SEE PAGE 114 OF THE CATALOGUE "PROJECT WIND"

# "COMFORT+CO2 - PICO HP2 WI-C-CO2" - WALL-MOUNTED, STATIC INTAKE/EXTRACTOR FAN WITH HEAT RECOVERY, EQUIPPED WITH EXTERNAL POWER SUPPLY OR WITH BUILT-IN POWER SUPPLY



## TECHNICAL FEATURES

- FOR WALL INSTALLATION
- DISTANCE FROM FRONT PANEL TO WALL: 3,5 cm
- AVAILABLE WITH AIR FLOW RATE FROM 30 TO 80 m<sup>3</sup>/h
- 3 SETTINGS OF HUMIDITY THRESHOLD: 40%, 50% AND 60%
- WI-FI CONTROL MODE (OFF-LINE) – COMFORT - CO2
- NO FORMATION OF CONDENSATION DURING OPERATION
- HIGH EFFICIENCY HEAT EXCHANGER IN CERAMIC MATERIAL
- WALL OPENING Ø 103-128-153 mm
- EQUIPPED WITH G2 FILTERS
- LOW ENERGY CONSUMPTION FAN
- SUITABLE FOR CONTINUOUS OPERATION
- SUPPLIED WITH REMOTE CONTROL
- COLOURED LEDS FOR SETTINGS DISPLAY
- 3-SPEED OPERATION
- EQUIPPED WITH EXTERNAL POWER SUPPLY/BUILT-IN POWER SUPPLY 230 V
- MINIMUM THICKNESS FOR INSTALLATION: 310 mm

# PICO<sup>wi</sup> HP2 - C - CO2



WI-FI



COMFORT



CO2



SUPPLIED WITH REMOTE CONTROL.  
9 NEW FUNCTIONS



EXTERNAL POWER SUPPLY  
230 V



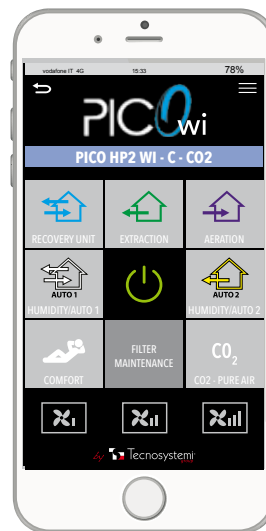
BUILT-IN POWER SUPPLY  
230 V



THREE MODULE BUILT-IN BOX  
NOT INCLUDED

NEW  
2019

WI-FI CONTROL MODE



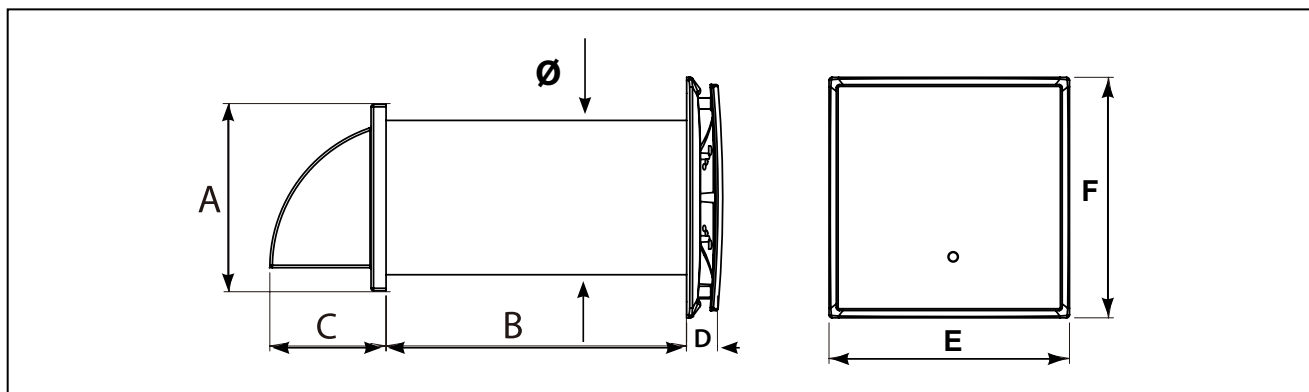
EFFICIENCY 90%



PICO HP2 WI - 30 - 55 - 80



SEE OPERATION MODES ON PAGES. 12-13



DIMENSIONS AND MODELS	A (mm)	B (mm)	C (mm)	Ø (mm)	D (mm)	E (mm)	F (mm)
ACD100013 / ACD100016	154	500	86	103	35	240	240
ACD100014 / ACD100017	186	500	101	128	35	240	240
ACD100015 / ACD100018	186	500	101	153	35	240	240

MODEL	PICO HP2 30 WI-C-CO2			PICO HP2 55 WI-C-CO2			PICO HP2 80 WI-C-CO2		
SPEED	1	2	3	1	2	3	1	2	3
SUPPLY VOLTAGE	230 V								
POWER (W)	1,3	1,4	1,4	1,3	1,6	2,2	1,7	2,6	3,6
MAXIMUM CURRENT CONSUMED (mA)	38	42	47	65,5	73	81	162	180	200
MAXIMUM AIR FLOW RATE (m³/h)	23	25	28	23	35	46	39	64	74
RPM (min-1)	1863	2070	2300	2106	2340	2600	2350	2610	2900
SOUND PRESSURE AT 1m (dB(A))	27	28	29	24	28	34	28	35	39
SOUND PRESSURE AT 3 m (dB(A))	25	26	27	23	26	32	26	33	37
MAXIMUM AIR TEMPERATURE (°C)	FROM -10 TO +50			FROM -10 TO +50			FROM -10 TO +50		
REGENERATOR EFFICIENCY	≤90%			≤90%			≤90%		
HEAT EXCHANGE FILL MEDIA	CERAMIC			CERAMIC			CERAMIC		
TUBE DIMENSIONS (mm)	Ø 103			Ø 128			Ø 153		
PROTECTION	IP 24			IP 24			IP 24		

**AVAILABLE FROM APRIL 2019**

CODE	DESCRIPTION
ACD100013	"COMFORT+CO2 - PICO HP2 30 WI-C CO2" WALL-MOUNTED, STATIC INTAKE/EXTRACTOR FAN WITH HEAT RECOVERY, EQUIPPED WITH EXTERNAL POWER SUPPLY
ACD100014	"COMFORT+CO2 - PICO HP2 55 WI-C CO2" WALL-MOUNTED, STATIC INTAKE/EXTRACTOR FAN WITH HEAT RECOVERY, EQUIPPED WITH EXTERNAL POWER SUPPLY
ACD100015	"COMFORT+CO2 - PICO HP2 80 WI-C CO2" WALL-MOUNTED, STATIC INTAKE/EXTRACTOR FAN WITH HEAT RECOVERY, EQUIPPED WITH EXTERNAL POWER SUPPLY
ACD100016	"COMFORT+CO2 - PICO HP2 30 WI-C-CO2" WALL-MOUNTED, STATIC INTAKE/EXTRACTOR FAN WITH HEAT RECOVERY, EQUIPPED WITH BUILT-IN POWER SUPPLY
ACD100017	"COMFORT+CO2 - PICO HP2 55 WI-C-CO2" WALL-MOUNTED, STATIC INTAKE/EXTRACTOR FAN WITH HEAT RECOVERY, EQUIPPED WITH BUILT-IN POWER SUPPLY
ACD100018	"COMFORT+CO2 - PICO HP2 80 WI-C-CO2" WALL-MOUNTED, STATIC INTAKE/EXTRACTOR FAN WITH HEAT RECOVERY, EQUIPPED WITH BUILT-IN POWER SUPPLY

FOR THE ROUND PIPE EXTENTIONS, SEE PAGE 114 OF THE CATALOGUE "PROJECT WIND"

# "PICO RECO 100 WI" - WALL-MOUNTED CROSS FLOW STATIC INTAKE EXTRACTOR FAN WITH HEAT RECOVERY EQUIPPED WITH EXTERNAL POWER SUPPLY OR WITH BUILT-IN POWER SUPPLY



## TECHNICAL FEATURES

- FOR WALL INSTALLATION
- DISTANCE FROM FRONT PANEL TO WALL: 3,5 cm
- 3 SETTINGS OF HUMIDITY THRESHOLD: 40%, 50% AND 60%
- WI-FI CONTROL MODE (OFF-LINE)
- NO FORMATION OF CONDENSATION DURING OPERATION
- HIGH-EFFICIENCY CROSS FLOW POLYESTER HEAT EXCHANGER
- WALL OPENING Ø 204 mm
- EQUIPPED WITH G2 FILTERS
- LOW ENERGY CONSUMPTION FAN
- SUITABLE FOR CONTINUOUS OPERATION
- SUPPLIED WITH REMOTE CONTROL
- 3-SPEED OPERATION
- COLOURED LEDS FOR SETTINGS DISPLAY
- EQUIPPED WITH EXTERNAL POWER SUPPLY /BUILT-IN POWER SUPPLY 230 V
- MINIMUM THICKNESS FOR INSTALLATION: 370 mm

# PICO<sub>wi</sub> RECO 100



SUPPLIED WITH REMOTE CONTROL.  
5 NEW FUNCTIONS



EXTERNAL POWER SUPPLY  
230 V



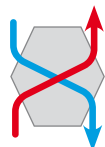
BUILT-IN POWER SUPPLY  
230 V



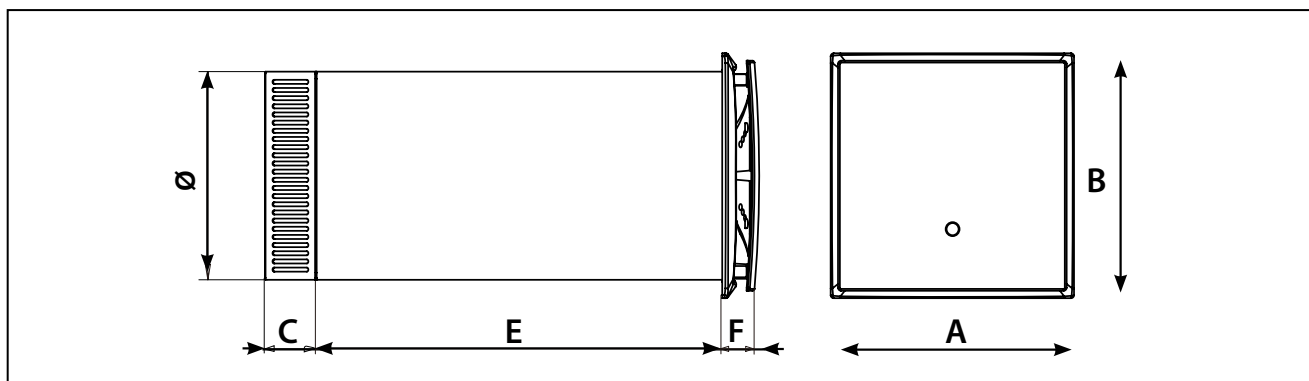
THREE MODULE BUILT-IN BOX  
NOT INCLUDED

NEW  
2019

WI-FI CONTROL MODE



SEE OPERATION MODES ON PAGES. 12-13



DIMENSIONS AND MODELS	A	B	C	Ø	E	F
	(mm)	(mm)	(mm)	(mm)	(mm)	(mm)
ACD100019	240	240	51	204	500	35
ACD100020	240	240	51	204	500	35

SPEED	MIN. 1	MED. 2	MAX. 3
SUPPLY VOLTAGE	230 V		
POWER (W)	6,6	7,7	8,4
MAXIMUM CURRENT CONSUMED (mA)	550	640	700
MAXIMUM AIR FLOW RATE (m <sup>3</sup> /h)	70	81	91
RPM (min-1)	3395	4070	4500
SOUND PRESSURE AT 1m (dB(A))	46	48	50
SOUND PRESSURE AT 3 m (dB(A))	43	46	47
MAXIMUM AIR TEMPERATURE (°C)	FROM -10 °C TO +50°C		
REGENERATOR EFFICIENCY	≤95%		
HEAT EXCHANGE FILL MEDIA	POLYESTER		
TUBE DIMENSIONS (mm)	Ø 204		
PROTECTION	IP 24		

**AVAILABLE FROM APRIL 2019**

CODE	DESCRIPTION
ACD100019	"PICO RECO 100 WI" WALL-MOUNTED CROSS FLOW STATIC INTAKE EXTRACTOR FAN WITH HEAT RECOVERY EQUIPPED WITH EXTERNAL POWER SUPPLY
ACD100020	"PICO RECO 100 WI" WALL-MOUNTED CROSS FLOW STATIC INTAKE EXTRACTOR FAN WITH HEAT RECOVERY EQUIPPED WITH BUILT-IN POWER SUPPLY

# "COMFORT - PICO RECO 100 WI-C" - WALL-MOUNTED CROSS FLOW STATIC INTAKE EXTRACTOR FAN WITH HEAT RECOVERY EQUIPPED WITH EXTERNAL POWER SUPPLY OR WITH BUILT-IN POWER SUPPLY



## PICO<sup>wi</sup> RECO 100 - C



WI-FI



COMFORT



### TECHNICAL FEATURES

- FOR WALL INSTALLATION
- DISTANCE FROM FRONT PANEL TO WALL: 3,5 cm
- 3 SETTINGS OF HUMIDITY THRESHOLD: 40%, 50% AND 60%
- WI-FI CONTROL MODE (OFF-LINE) – COMFORT
- NO FORMATION OF CONDENSATION DURING OPERATION
- HIGH-EFFICIENCY CROSS FLOW POLYESTER HEAT EXCHANGER
- WALL OPENING Ø 204 mm
- EQUIPPED WITH G2 FILTERS
- LOW ENERGY CONSUMPTION FAN
- SUITABLE FOR CONTINUOUS OPERATION
- SUPPLIED WITH REMOTE CONTROL
- 3-SPEED OPERATION
- COLOURED LEDS FOR SETTINGS DISPLAY
- EQUIPPED WITH EXTERNAL POWER SUPPLY/BUILT-IN POWER SUPPLY 230 V
- MINIMUM THICKNESS FOR INSTALLATION: 370 mm

SUPPLIED WITH REMOTE CONTROL.  
7 NEW FUNCTIONS



EXTERNAL POWER SUPPLY  
230 V



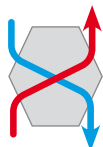
BUILT-IN POWER SUPPLY  
230 V



THREE MODULE BUILT-IN BOX  
NOT INCLUDED

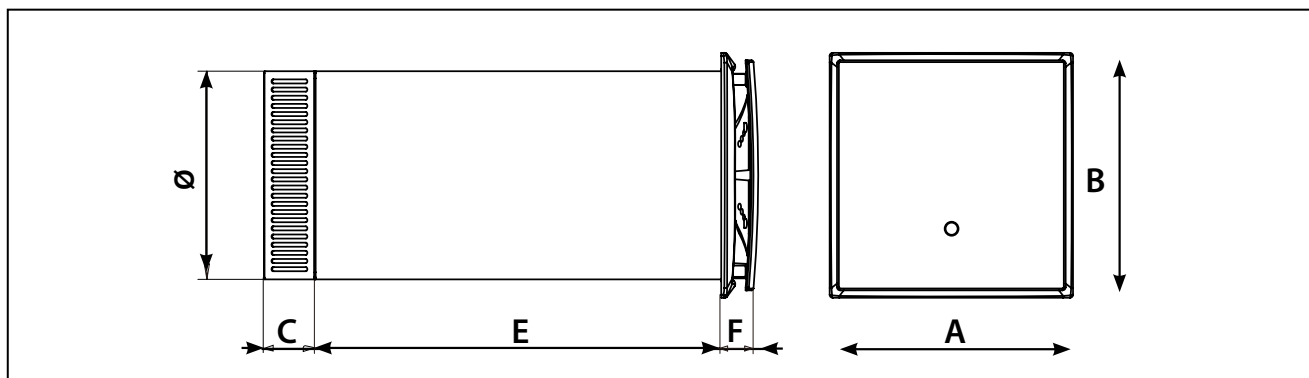
NEW  
2019

WI-FI CONTROL MODE



SEE OPERATION MODES ON PAGES. 12-13





DIMENSIONS AND MODELS	A	B	C	Ø	E	F
	(mm)	(mm)	(mm)	(mm)	(mm)	(mm)
ACD100021	240	240	51	204	500	35
ACD100022	240	240	51	204	500	35

<b>SPEED</b>	MIN. 1	MED. 2	MAX. 3
<b>SUPPLY VOLTAGE</b>	230 V		
<b>POWER (W)</b>	6,6	7,7	8,4
<b>MAXIMUM CURRENT CONSUMED (mA)</b>	550	640	700
<b>MAXIMUM AIR FLOW RATE (m<sup>3</sup>/h)</b>	70	81	91
<b>RPM (min-1)</b>	3395	4070	4500
<b>SOUND PRESSURE AT 1m (dB(A))</b>	46	48	50
<b>SOUND PRESSURE AT 3 m (dB(A))</b>	43	46	47
<b>MAXIMUM AIR TEMPERATURE (°C)</b>	FROM -10 °C TO +50°C		
<b>REGENERATOR EFFICIENCY</b>	≤95%		
<b>HEAT EXCHANGE FILL MEDIA</b>	POLYESTER		
<b>TUBE DIMENSIONS (mm)</b>	Ø 204		
<b>PROTECTION</b>	IP 24		

**AVAILABLE FROM APRIL 2019**

CODE	DESCRIPTION
ACD100021	"COMFORT - PICO RECO 100 WI-C" WALL-MOUNTED CROSS FLOW STATIC INTAKE EXTRACTOR FAN WITH HEAT RECOVERY EQUIPPED WITH EXTERNAL POWER SUPPLY
ACD100022	"COMFORT - PICO RECO 100 WI-C" WALL-MOUNTED CROSS FLOW STATIC INTAKE EXTRACTOR FAN WITH HEAT RECOVERY EQUIPPED WITH BUILT-IN POWER SUPPLY

# "COMFORT +CO2 PICO RECO 100 WI-C-CO2" - WALL-MOUNTED CROSS FLOW STATIC INTAKE EXTRACTOR FAN WITH HEAT RECOVERY EQUIPPED WITH EXTERNAL POWER SUPPLY OR WITH BUILT-IN POWER SUPPLY



## PICO<sup>wi</sup> RECO 100 - C - CO2

### TECHNICAL FEATURES

- FOR WALL INSTALLATION
- DISTANCE FROM FRONT PANEL TO WALL: 3,5 cm
- 3 SETTINGS OF HUMIDITY THRESHOLD: 40%, 50% AND 60%
- WI-FI CONTROL MODE (OFF-LINE) – COMFORT - CO2
- NO FORMATION OF CONDENSATION DURING OPERATION
- HIGH-EFFICIENCY CROSS FLOW POLYESTER HEAT EXCHANGER
- WALL OPENING Ø 204 mm
- EQUIPPED WITH G2 FILTERS
- LOW ENERGY CONSUMPTION FAN
- SUITABLE FOR CONTINUOUS OPERATION
- SUPPLIED WITH REMOTE CONTROL
- 3-SPEED OPERATION
- COLOURED LEDS FOR SETTINGS DISPLAY
- EQUIPPED WITH EXTERNAL POWER SUPPLY/BUILT-IN POWER SUPPLY 230 V
- MINIMUM THICKNESS FOR INSTALLATION: 370 mm



SUPPLIED WITH REMOTE CONTROL.  
9 NEW FUNCTIONS



EXTERNAL POWER SUPPLY  
230 V



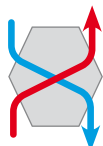
BUILT-IN POWER SUPPLY  
230 V



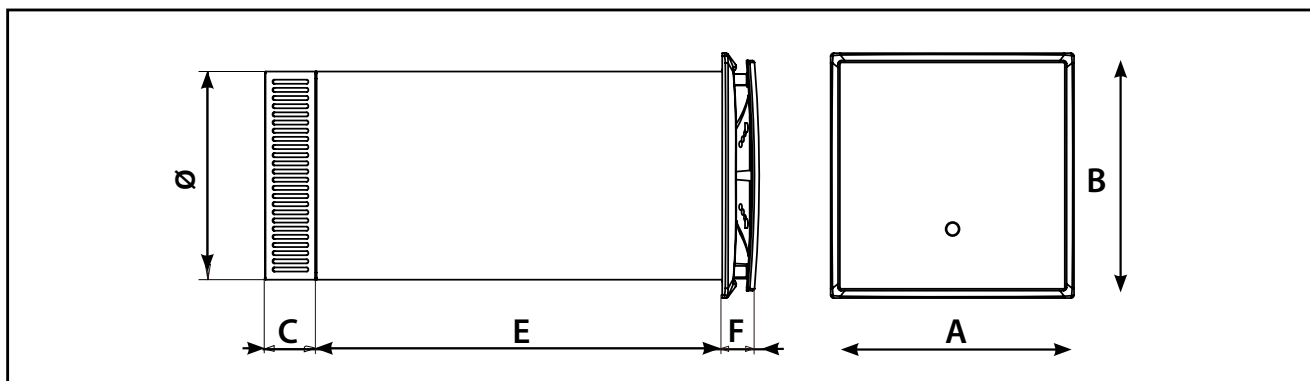
THREE MODULE BUILT-IN BOX  
NOT INCLUDED

NEW  
2019

WI-FI CONTROL MODE



SEE OPERATION MODES ON PAGES. 12-13



DIMENSIONS AND MODELS	A	B	C	Ø	E	F
	(mm)	(mm)	(mm)	(mm)	(mm)	(mm)
ACD100023	240	240	51	204	500	35
ACD100024	240	240	51	204	500	35

SPEED	MIN. 1	MED. 2	MAX. 3
SUPPLY VOLTAGE	230 V		
POWER (W)	6,6	7,7	8,4
MAXIMUM CURRENT CONSUMED (mA)	550	640	700
MAXIMUM AIR FLOW RATE (m³/h)	70	81	91
RPM (min-1)	3395	4070	4500
SOUND PRESSURE AT 1m (dB(A))	46	48	50
SOUND PRESSURE AT 3 m (dB(A))	43	46	47
MAXIMUM AIR TEMPERATURE (°C)	FROM -10 °C TO +50°C		
REGENERATOR EFFICIENCY	≤95%		
HEAT EXCHANGE FILL MEDIA	POLYESTER		
TUBE DIMENSIONS (mm)	Ø 204		
PROTECTION	IP 24		

AVAILABLE FROM APRIL 2019

CODE	DESCRIPTION
ACD100023	"COMFORT+CO2 - PICO RECO 100 WI-C-CO2" WALL-MOUNTED CROSS FLOW STATIC INTAKE EXTRACTOR FAN WITH HEAT RECOVERY EQUIPPED WITH EXTERNAL POWER SUPPLY
ACD100024	"COMFORT+CO2 - PICO RECO 100 WI-C-CO2" WALL-MOUNTED CROSS FLOW STATIC INTAKE EXTRACTOR FAN WITH BUILT-IN POWER SUPPLY

# PICO<sup>wi</sup> CLEAN

***MORE SIMPLE  
AND ECONOMIC!***



**IDEAL FOR:**



**LIVING ROOMS - BATHROOMS  
KITCHENS - BEDROOMS - CELLARS**

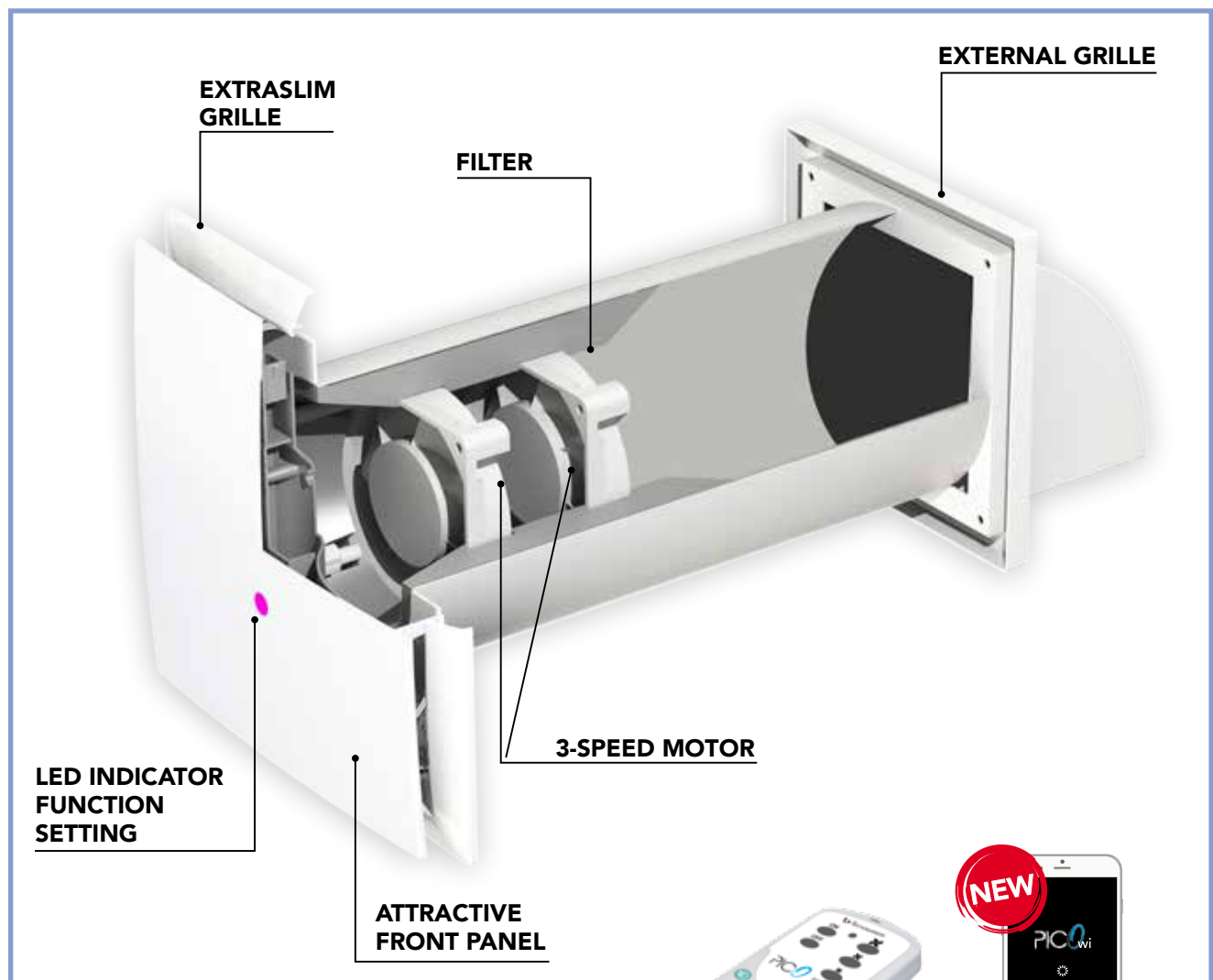
# PICO<sub>wi</sub> ANTI MOULD CLEAN

## WALL - MOUNTED INTAKE/EXTRACT FAN

THANKS TO ITS REVERSIBLE FUNCTION, THE PICO CLEAN INTAKE/EXTRACTION FAN CREATES A COMFORTABLE MICRO-CLIMATE, WHILE AT THE SAME TIME ALLOWING AIR EXCHANGE IN HOMES.

PICO CLEAN REPRESENTS THE BEST SOLUTION FOR ENERGY SAVINGS AND VENTILATION IN THE HOME OR OFFICE.

PICO CLEAN IS EASY TO INSTALL AND MAINTAIN. IT ALSO FEATURES A SILENT FUNCTION.



# "PICO CLEAN WI" - WALL-MOUNTED, INTAKE/EXTRACTOR FAN, EQUIPPED WITH EXTERNAL POWER SUPPLY OR WITH BUILT-IN POWER SUPPLY



## PICO<sub>wi</sub> CLEAN



WI-FI



### TECHNICAL FEATURES

- FOR WALL INSTALLATION
- DISTANCE FROM FRONT PANEL TO WALL : 3,5 cm
- AVAILABLE WITH AIR FLOW RATE FROM 30 TO 80 m<sup>3</sup>/h
- 3 SETTINGS OF HUMIDITY THRESHOLD: 40%, 50% AND 60%
- WI-FI CONTROL MODE (OFF-LINE)
- NO FORMATION OF CONDENSATION DURING OPERATION
- WALL OPENING Ø 103 - 128 - 153 mm
- EQUIPPED WITH G2 FILTERS
- LOW ENERGY CONSUMPTION FAN
- SUITABLE FOR CONTINUOUS OPERATION
- SUPPLIED WITH REMOTE CONTROL
- 3-SPEED OPERATION
- COLOURED LEDS FOR SETTINGS DISPLAY
- EQUIPPED WITH EXTERNAL POWER SUPPLY/BUILT-IN POWER SUPPLY 230 V
- MINIMUM THICKNESS FOR INSTALLATION: 310 mm

SUPPLIED WITH REMOTE CONTROL



EXTERNAL POWER SUPPLY 230 V



BUILT-IN POWER SUPPLY 230 V



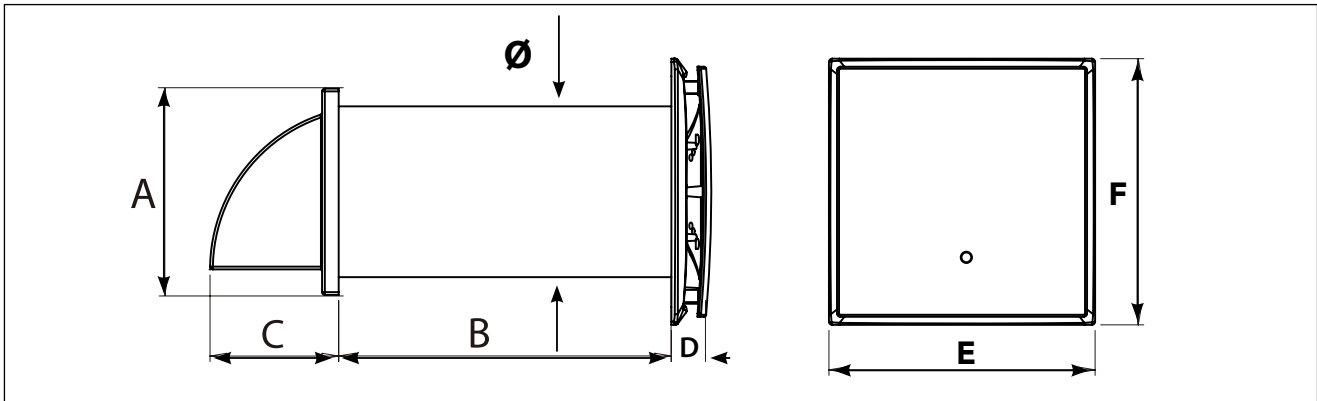
THREE MODULE BUILT-IN BOX NOT INCLUDED

NEW 2019

WI-FI CONTROL MODE



SEE OPERATION MODES ON PAGES. 12-13



DIMENSIONS AND MODELS	A (mm)	B (mm)	C (mm)	Ø (mm)	D (mm)	E (mm)	F (mm)
ACD100025 / ACD100028	154	500	86	103	35	240	240
ACD100026 / ACD100029	186	500	101	128	35	240	240
ACD100027 / ACD100030	186	500	101	153	35	240	240

MODEL	PICO CLEAN 30 WI			PICO CLEAN 55 WI			PICO CLEAN 80 WI		
	1	2	3	1	2	3	1	2	3
SPEED									
SUPPLY VOLTAGE	230 V								
POWER (W)	1,3	1,4	1,4	1,3	1,6	2,2	1,7	2,6	3,6
MAXIMUM CURRENT CONSUMED (mA)	38	42	47	65,5	73	81	162	180	200
MAXIMUM AIR FLOW RATE (m <sup>3</sup> /h)	23	25	28	23	35	46	39	64	74
RPM (min-1)	1863	2070	2300	2106	2340	2600	2350	2610	2900
SOUND PRESSURE AT 1m (dB(A))	27	28	29	24	28	34	28	35	39
SOUND PRESSURE AT 3 m (dB(A))	25	26	27	23	26	32	26	33	37
MAXIMUM AIR TEMPERATURE (°C)	FROM -10 TO +50			FROM -10 TO +50			FROM -10 TO +50		
TUBE DIMENSIONS (mm)	Ø 103			Ø 128			Ø 153		
PROTECTION	IP 24			IP 24			IP 24		

**AVAILABLE FROM APRIL 2019**

CODE	DESCRIPTION
ACD100025	"PICO CLEAN 30 WI" WALL-MOUNTED, INTAKE/EXTRACTOR FAN, EQUIPPED WITH EXTERNAL POWER SUPPLY
ACD100026	"PICO CLEAN 55 WI" WALL-MOUNTED, INTAKE/EXTRACTOR FAN, EQUIPPED WITH EXTERNAL POWER SUPPLY
ACD100027	"PICO CLEAN 80 WI" WALL-MOUNTED, INTAKE/EXTRACTOR FAN, EQUIPPED WITH EXTERNAL POWER SUPPLY
ACD100028	"PICO CLEAN 30 WI" WALL-MOUNTED, INTAKE/EXTRACTOR FAN, EQUIPPED WITH BUILT-IN POWER SUPPLY
ACD100029	"PICO CLEAN 55 WI" WALL-MOUNTED, INTAKE/EXTRACTOR FAN, EQUIPPED WITH BUILT-IN POWER SUPPLY
ACD100030	"PICO CLEAN 80 WI" WALL-MOUNTED, INTAKE/EXTRACTOR FAN, EQUIPPED WITH BUILT-IN POWER SUPPLY

FOR THE ROUND PIPE EXTENTIONS, SEE PAGE 114 OF THE CATALOGUE "PROJECT WIND"



## INTAKE / EXTRACTOR

PICO<sub>wi</sub> 30  
CLEAN

MAX.  
POWER  
0,57 W

> m<sup>3</sup>/h 32 Ø HOLE 103 mm

PICO<sub>wi</sub> 55  
CLEAN

MAX.  
POWER  
1,1W

> m<sup>3</sup>/h 50 Ø HOLE 128 mm

PICO<sub>wi</sub> 80  
CLEAN

MAX.  
POWER  
2,4 W

> m<sup>3</sup>/h 80 Ø HOLE 153 mm

FLEXIBLE EXTERNAL  
GRILLES AVAILABLE ON  
PAGE 29

## INSTALLATION DIAGRAM FOR MAX 4 PICO UNITS IN CASCADE



12 W

FOR HEAT RECOVERY UNIT

PICO HP2 WI 55 - 30 - CLEAN WI 55 - 30

POWER SUPPLY INCLUDED WITH THE UNIT



36 W

FOR HEAT RECOVERY UNIT

PICO HP2 WI 80 - CLEAN WI 80 - RECO 100 WI

POWER SUPPLY NOT INCLUDED SEE PAGE 34

