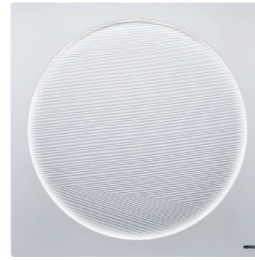


ARTCOOL Stylist INVERTER V

9K
G09WL

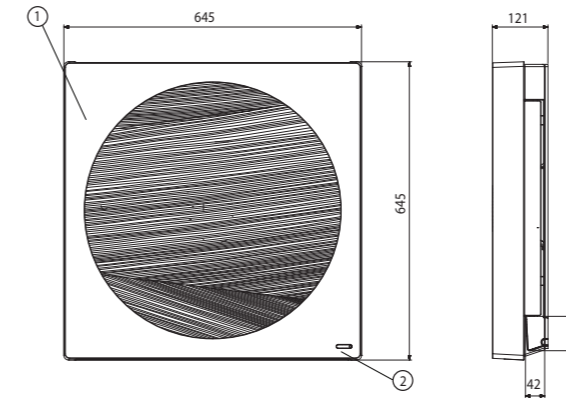
12K
G12WL



P 24 P 15 P 15 P 31 P 31 P 34

| Unit | | | | 9K | 12K |
|----------------------------|-------------------|-------------|---------------------|------------------------|------------------------|
| Model Outdoor Unit | | | | G09WL ASUW0963WB0 | G12WL ASUW1263WB0 |
| Model Indoor Unit | | | | G09WL ASNW0963WB0 | G12WL ASNW1263WB0 |
| Indoor Unit | | | | | |
| Capacity | Cooling | Min | W | 1300 | 1300 |
| | | Rated | W | 2500 | 3500 |
| | | Max | W | 3500 | 4000 |
| | Heating | Min | W | 1300 | 1300 |
| | | Rated | W | 3000 | 3500 |
| | | Max | W | 4200 | 5000 |
| Heating -7°C | Rated | W | 690 | 1090 | |
| | Rated | W | 830 | 970 | |
| | Rated | W | 3200 | 3700 | |
| Power Input | Cooling | Rated | W | 830 | 970 |
| | Heating +7°C | Rated | W | 3200 | 3700 |
| | | W/W | | 3.61 | 3.21 |
| EER | | | | 3.61 | 3.21 |
| S.E.E.R. | | | | 5.70 | 5.60 |
| P design C | | | kW | 2.50 | 3.50 |
| COP | | | W/W | 3.61 | 3.61 |
| S.C.O.P. | | | | 3.80 | 3.80 |
| P design H | | | Kw | 2.70 | 3.30 |
| S.E.E.R. | | | | 5.7 | 5.6 |
| S.C.O.P. | | | | 3.8 | 3.8 |
| Energy Label | Cooling | | | A+ | A+ |
| | Heating | | | A | A |
| Annual Energy Consumption | Cooling | | kWh | 170 | 220 |
| | Heating | | kWh | 1100 | 1224 |
| Power Supply | | | Φ / V / Hz | 1/220~240/50 | 1/220~240/50 |
| Sound Pressure | Cooling | Sleep | dBA | 19 | 19 |
| | | Low | dBA | 29 | 29 |
| | | Medium | dBA | 34 | 34 |
| | Heating | High | dBA | 39 | 39 |
| | | Low | dBA | 32 | 32 |
| | | Medium | dBA | 35 | 35 |
| Sound Power | Cooling | High | dBA | 39 | 39 |
| | | High | dBA | 60 | 60 |
| | | High | dBA | 60 | 60 |
| Air Flow Rate | Cooling | Max (Power) | m ³ /min | 10.5 | 10.5 |
| | | Sleep | m ³ /min | 4.5 | 4.5 |
| | | Low | m ³ /min | 6.0 | 6.0 |
| | Heating | Medium | m ³ /min | 7.0 | 7.0 |
| | | High | m ³ /min | 8.0 | 8.0 |
| | | Low | m ³ /min | 6.6 | 6.6 |
| Dehumidification Rate | Cooling | Medium | m ³ /min | 7.5 | 7.5 |
| | | High | m ³ /min | 8.5 | 8.5 |
| | | High | m ³ /min | 8.5 | 8.5 |
| Running Current | | | l/h | 1.2 | 1.5 |
| Starting Current | Cooling | Rated | A | 4 | 5 |
| | | Max | A | 6.0 | 6.0 |
| | Heating | Rated | A | 4 | 4.5 |
| | | Max | A | 7.0 | 7.0 |
| Circuit Breaker | Cooling | Rated | A | 4 | 4.5 |
| | | Rated | A | 4 | 4.5 |
| Power Supply Cable | | | N x mm ² | 3*1.0 | 3*1.0 |
| Power & Transmission Cable | | | N x mm ² | 4*1.0(Including Earth) | 4*1.0(Including Earth) |
| Dimension | | | mm | 645*645*121 | 645*645*121 |
| Net Weight | | | kg | 18 | 18 |
| Fan Motor Output | | | W | 24 | 24 |
| Outdoor Unit | | | | | |
| Operation Range | Cooling | Min~Max | °CDB | -10~48 | -10~48 |
| | Heating | Min~Max | °CWB | -15~24 | -15~24 |
| Sound Pressure | Cooling | High | dBA | 45 | 45 |
| | Heating | High | dBA | 45 | 45 |
| Sound Power | Cooling | High | dBA | 65 | 65 |
| Air Flow Rate | Cooling | High | m ³ /min | 33 | 33 |
| Piping | Length (Odu/Idu) | Min | m | - | - |
| | | Max | m | 15 | 15 |
| | | Max | m | 7 | 7 |
| Piping Connection | Liquid | OD(Outside) | mm | 6.35 | 6.35 |
| | | OD(Outside) | inch | 1/4 | 1/4 |
| | | OD(Outside) | mm | 9.52 | 9.52 |
| | Gas | OD(Outside) | inch | 3/8 | 3/8 |
| | | OD(Outside) | mm | 21.5 | 21.5 |
| | | OD(Outside) | inch | 0.85 | 0.85 |
| Refrigerant | Type | | | R410a | R410a |
| | Charge at 7.5m | | g | 1000 | 1000 |
| | Additional charge | | g/m | 20 | 20 |
| Fan Motor Output | | | W | 43 | 43 |
| Compressor Type | | | | Rotary | Rotary |
| Net Weight | | | kg | 34 | 34 |
| Dimension | | | mm | 770 x 545 x 288 | 770 x 545 x 288 |

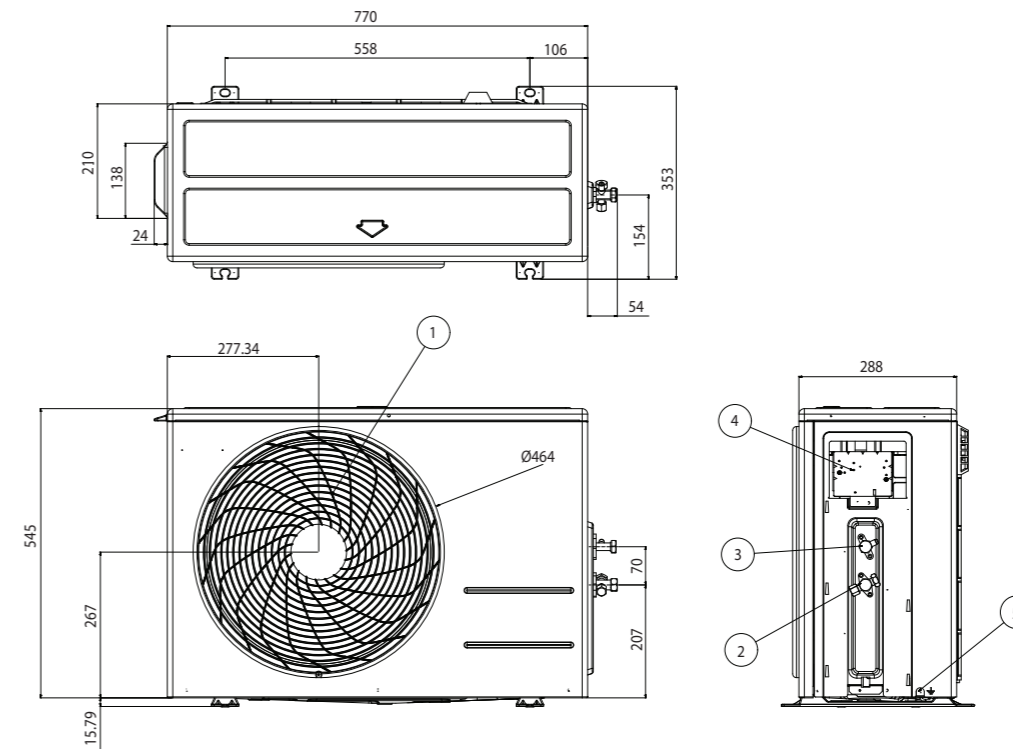
INDOOR UNIT - AS-W0963WB0 / AS-W1263WB0



(Unit: mm)

| Item No. | Part Name | Remark |
|----------|---------------------------|--------|
| 1 | Front Panel | |
| 2 | Display & Signal Receiver | |

OUTDOOR UNIT - ASUW0963WB0 / ASUW1263WB0



(Unit: mm)

| Item No. | Part Name |
|----------|-----------------------------|
| 1 | Air Discharge Grille |
| 2 | Gas Pipe Connection Port |
| 3 | Liquid Pipe Connection Port |
| 4 | Control Box |
| 5 | Earth Screw |